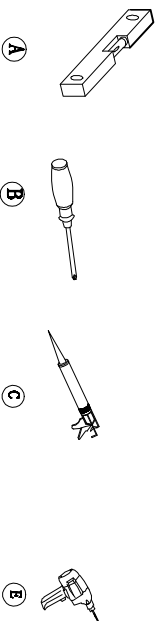
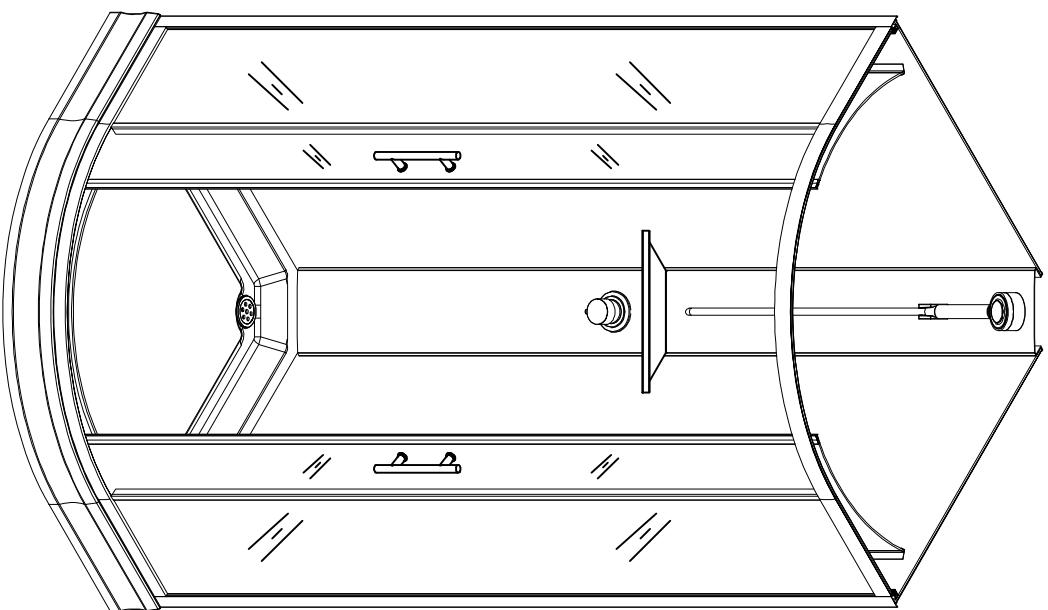
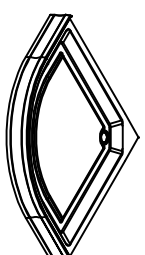


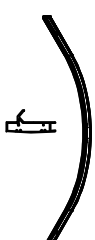
# P-505



1/3



[1]x1



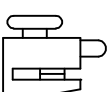
[2]x2



[3]x1



[4]x4



[5]x4



[6]x2



[7]x1

(ST4\*10)  
[8]x14

(ST4\*13)  
[9]x12

(ST4\*30)  
[10]x8

[11]x1

[12]x4



[13]x2



[14]x1



[15]x1



[16]x1



[17]x1



[18]x1



[19]x4



[20]x4



[21]x2

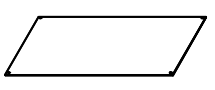


[22]x2



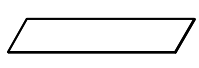
[23]x8

2/3

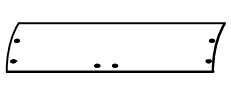


[24]x2

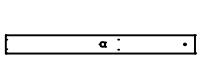
3/3



[25]x2



[26]x2



[27]x1



[28]x1



[29]x2



[30]x2



[31]x2

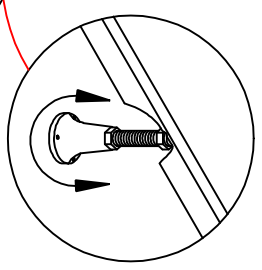
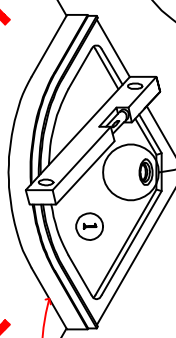
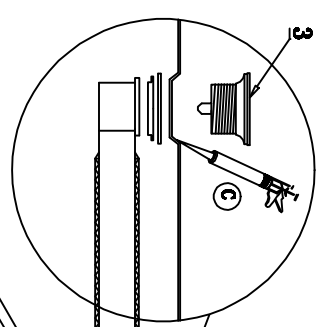


[32]x4

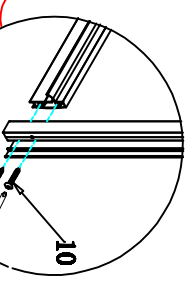
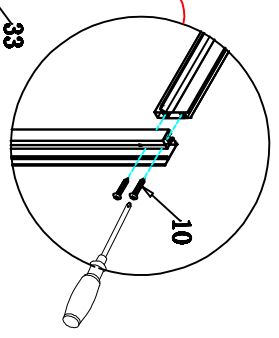
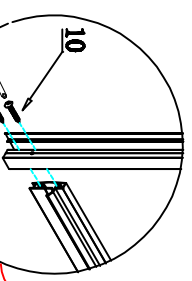
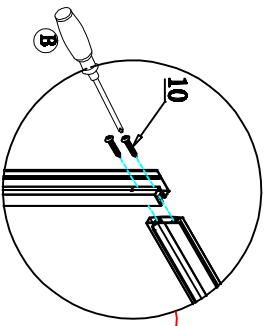


[33]x2

1:



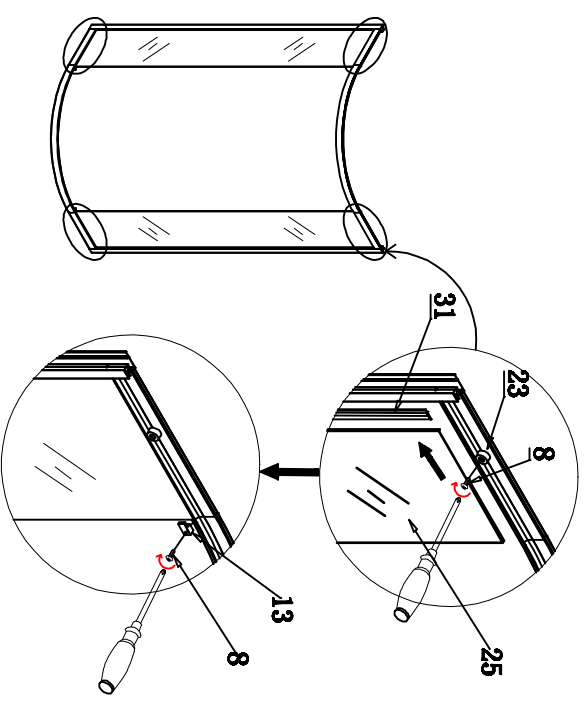
2:



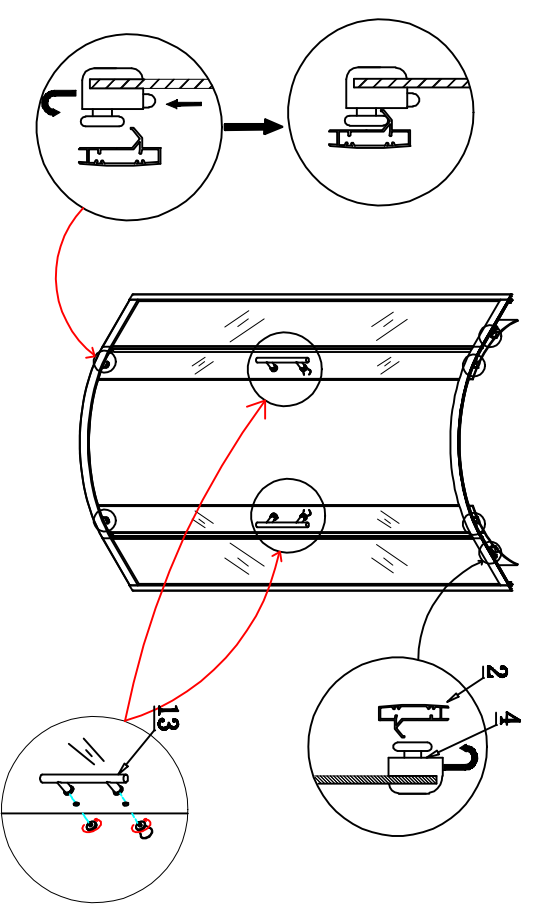
3

2

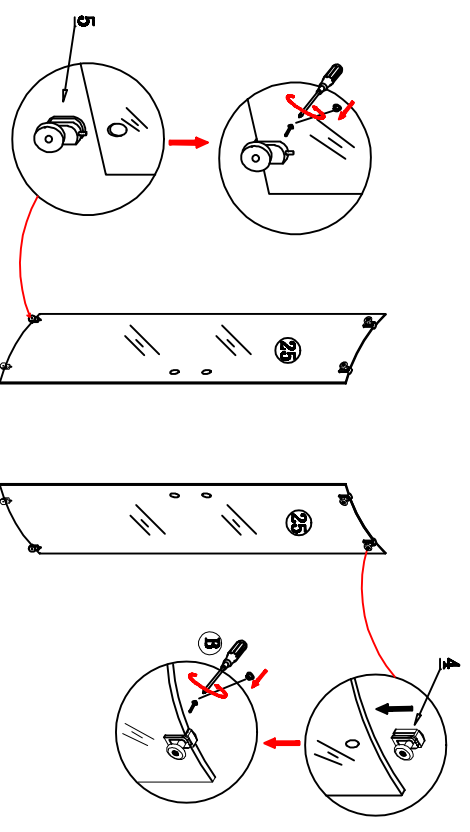
3:



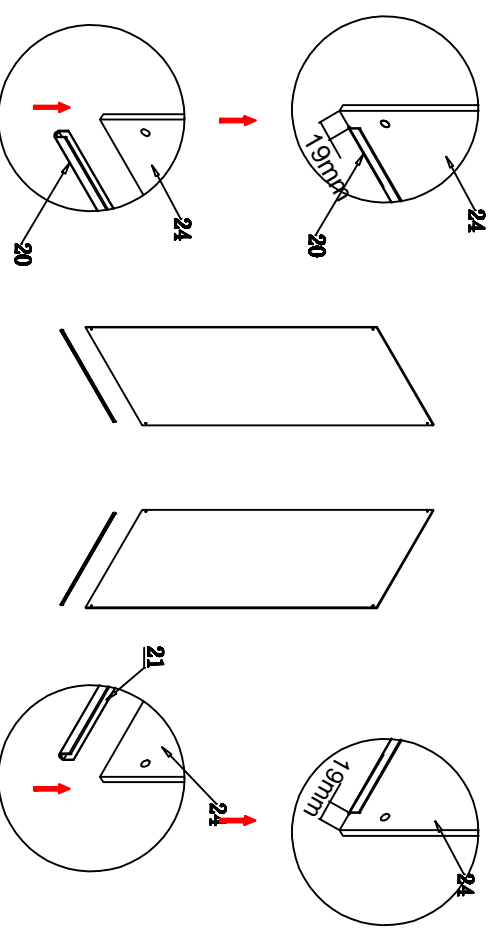
5:



4:



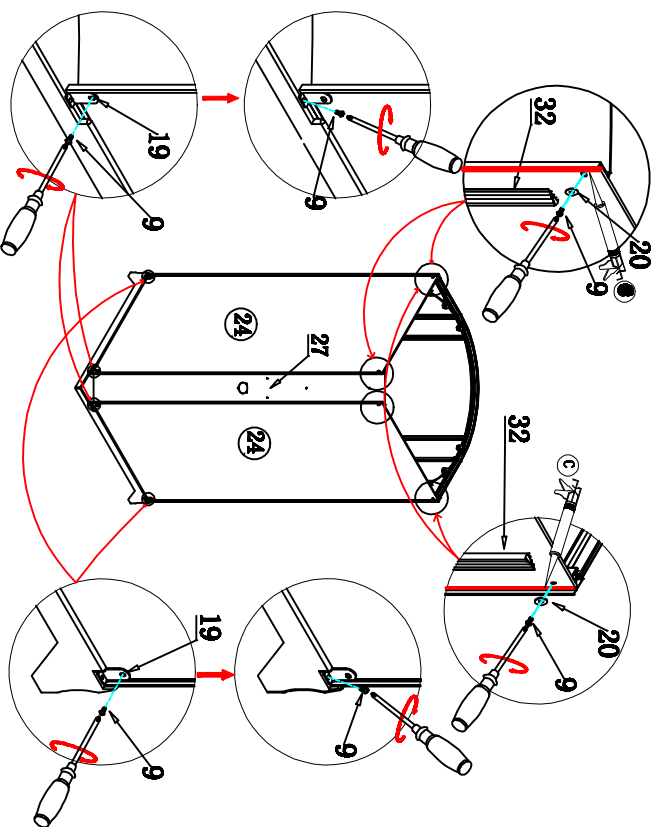
6:



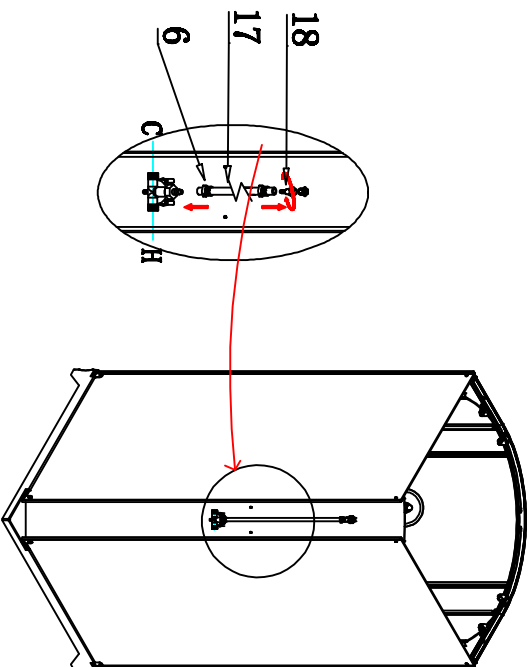
4

5

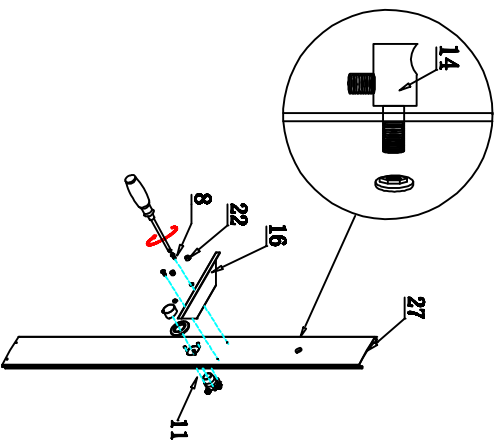
7:



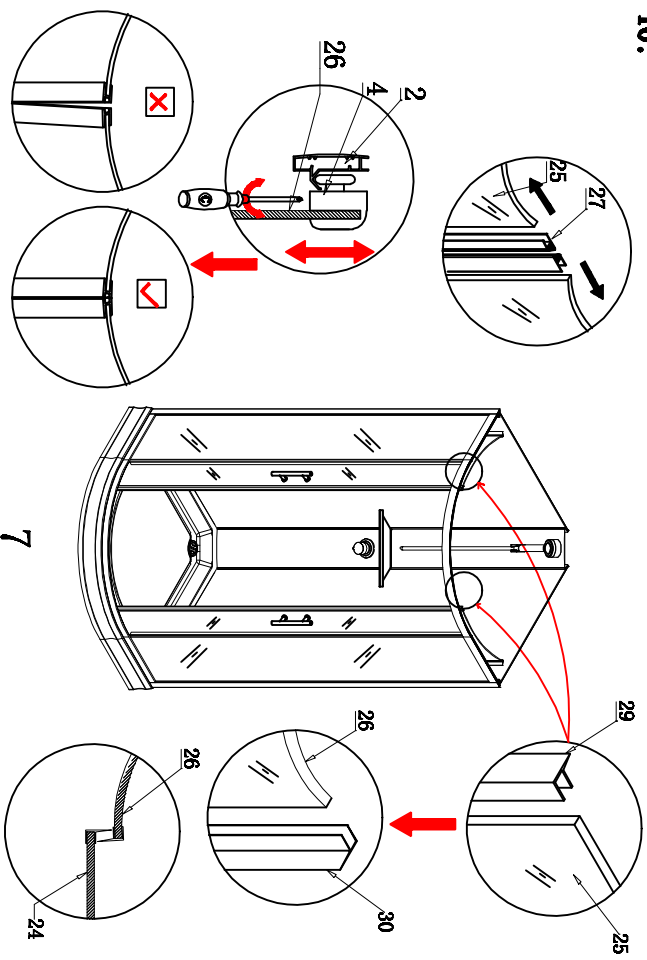
9:



8:



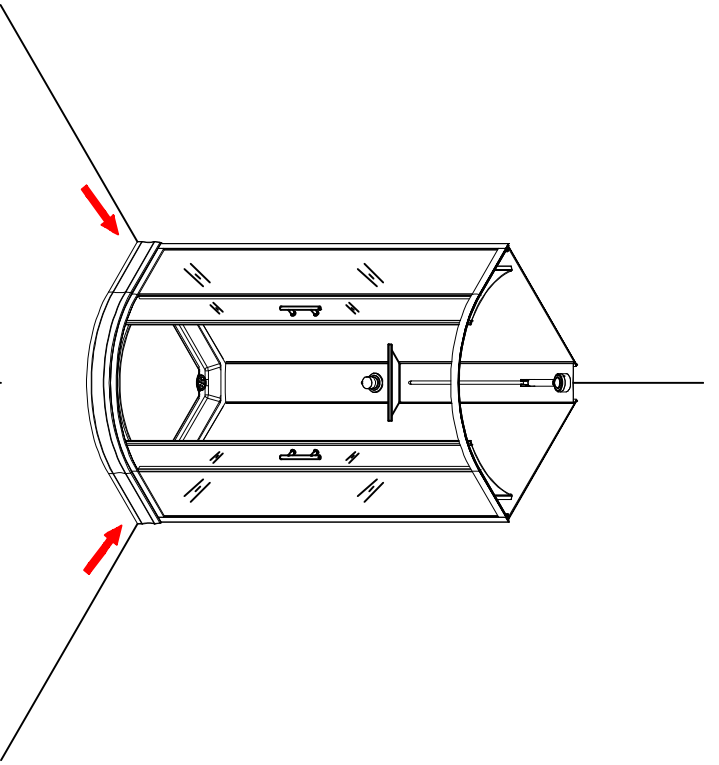
10:



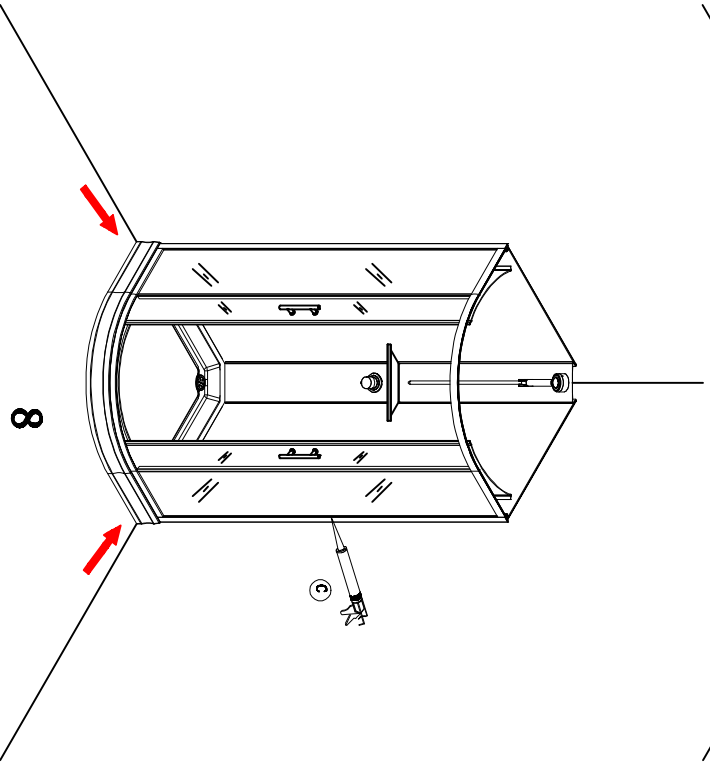
6

7

11:



12:



8

Достоверную информацию уточняйте на [santehnica.ru](http://santehnica.ru).