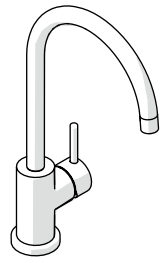


+

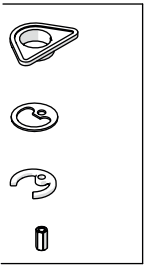


+

Not included / Non incluso / Non inclus / Nie zawarty / No incluido / Nao incluido

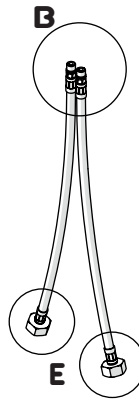


A



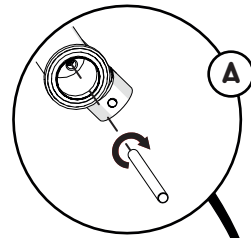
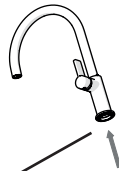
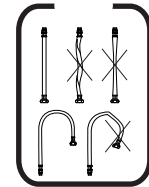
C

1



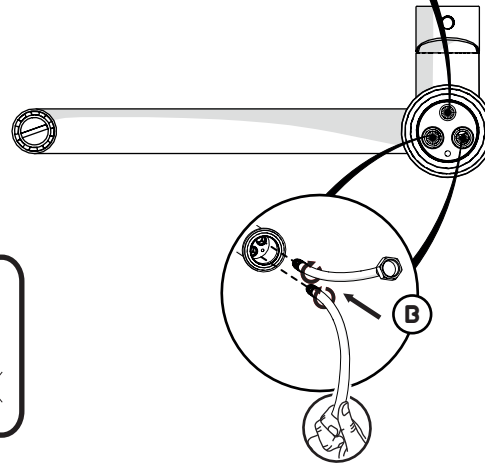
B

E



A

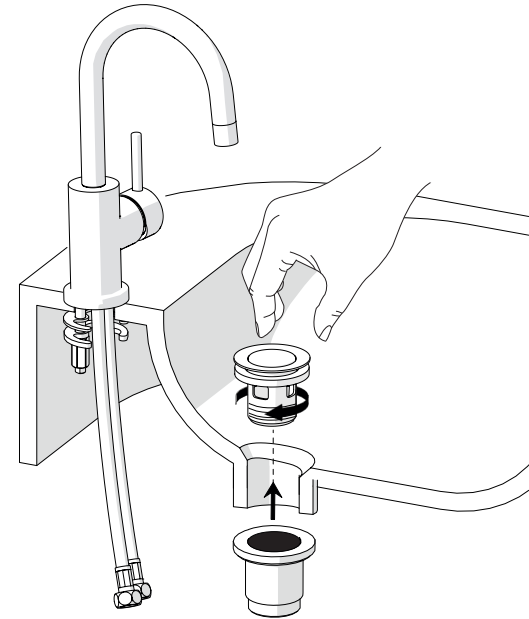
3



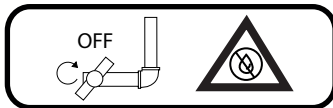
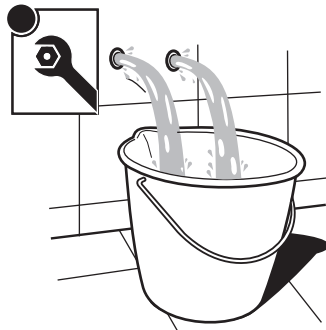
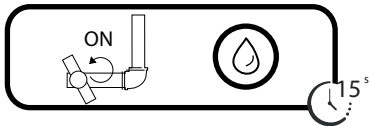
B

E

5



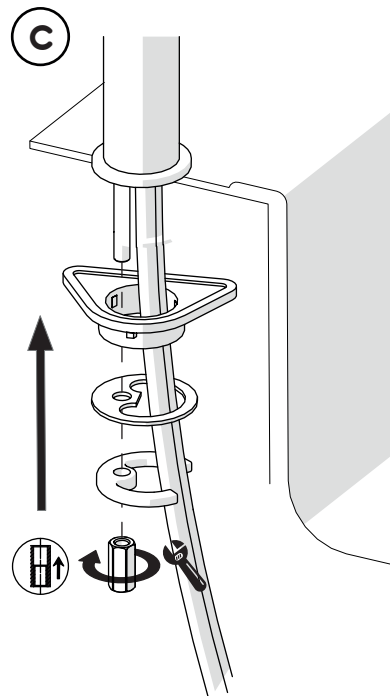
2



OFF



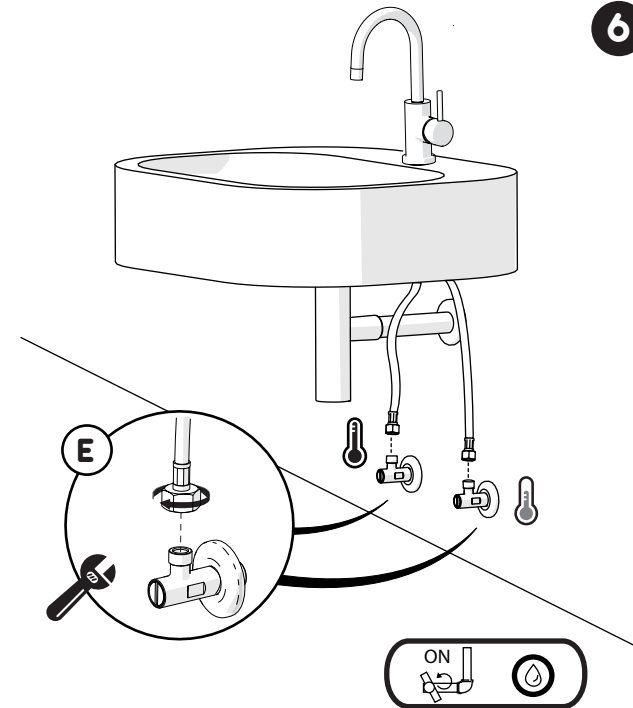
4



C

E

6

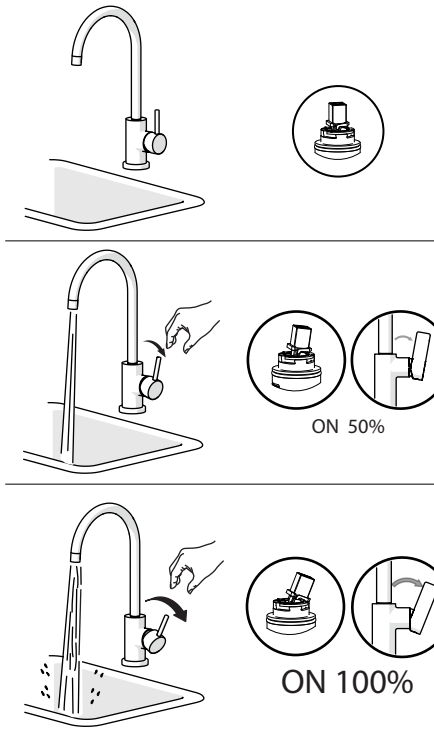


E

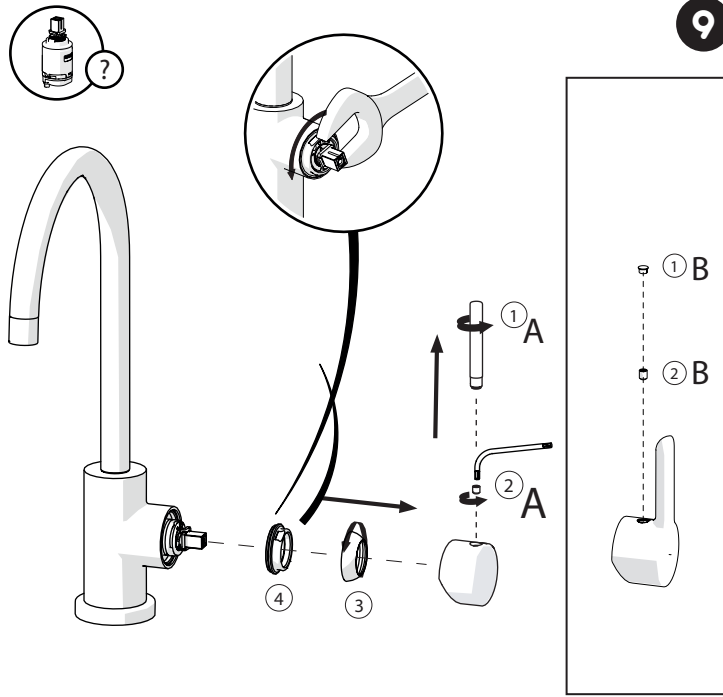


ON

 -50%



7



9

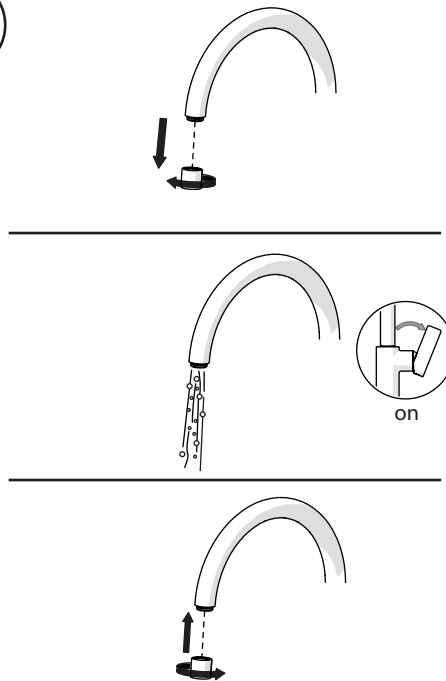
IISTR00338#---STD

NOBILIS[®]
The Best Technology for Water

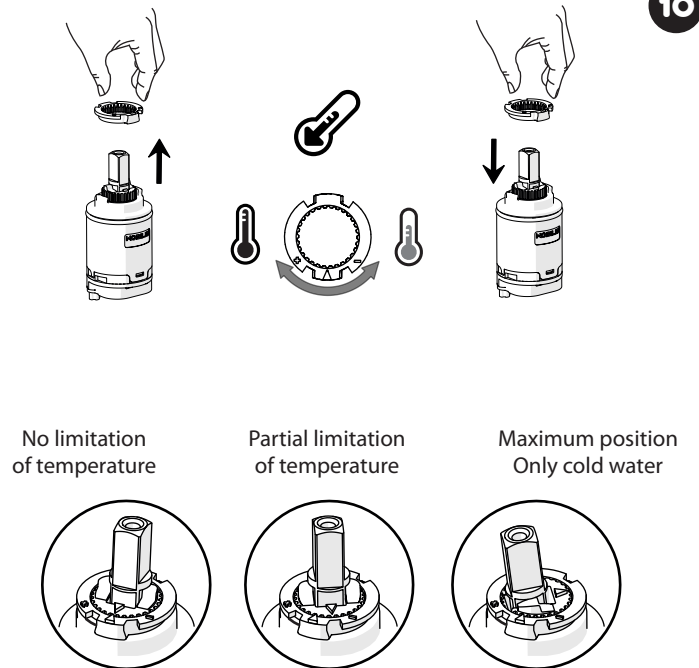
REV1.01/2014



www.grupponobili.it



8



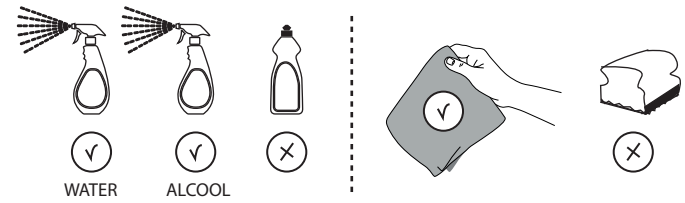
10

No limitation of temperature

Partial limitation of temperature

Maximum position Only cold water

CLEANING 



Достоверную информацию уточняйте на santehnica.ru.