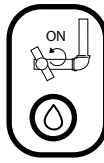
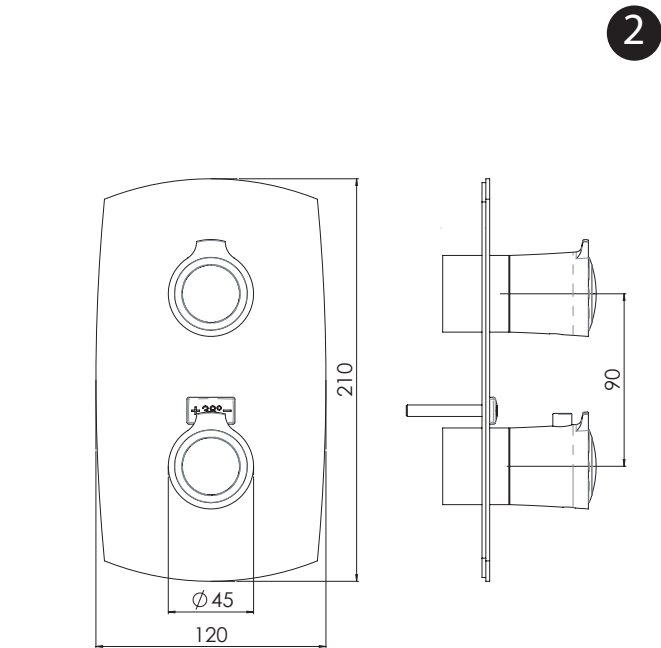
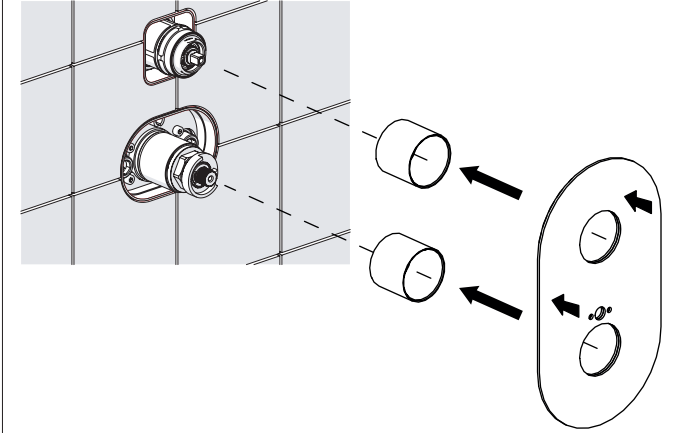
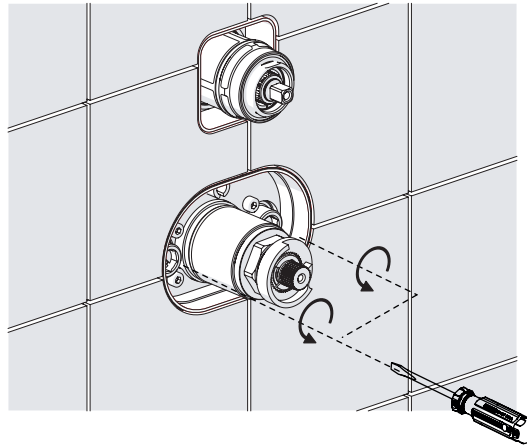


+

Not included / Non incluso / Non Inclus / Nie zawarty / No incluido / Nao incluido

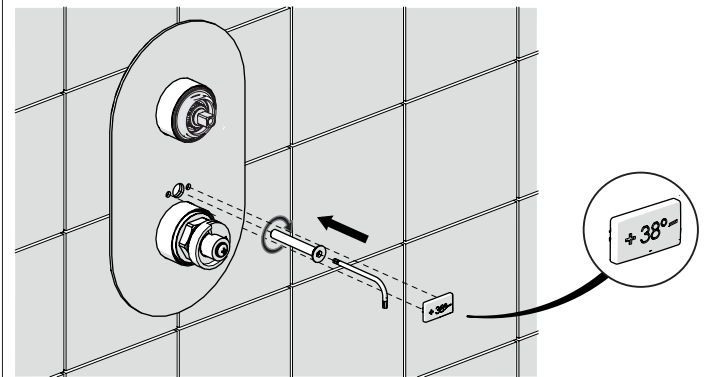


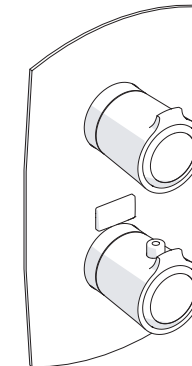
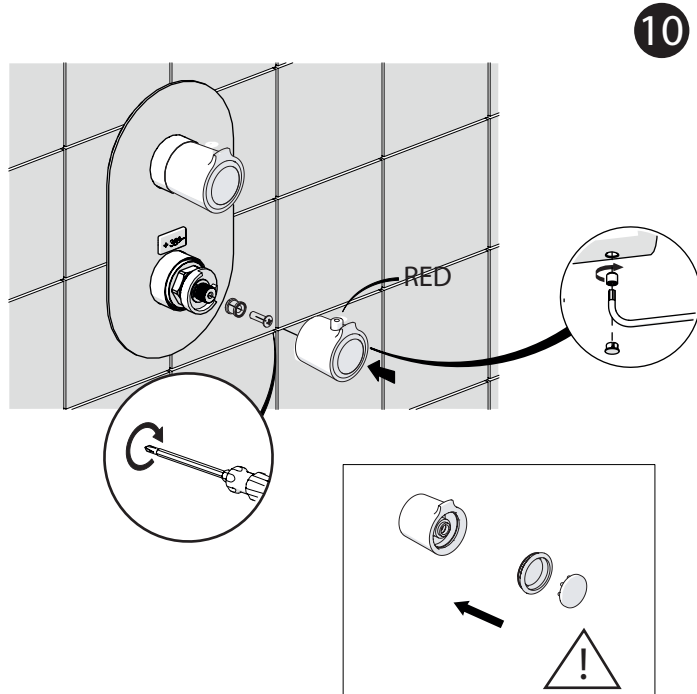
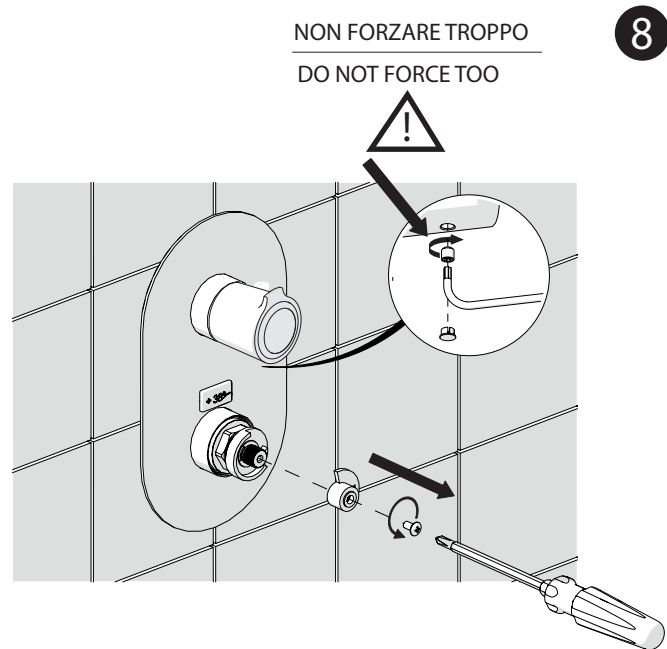
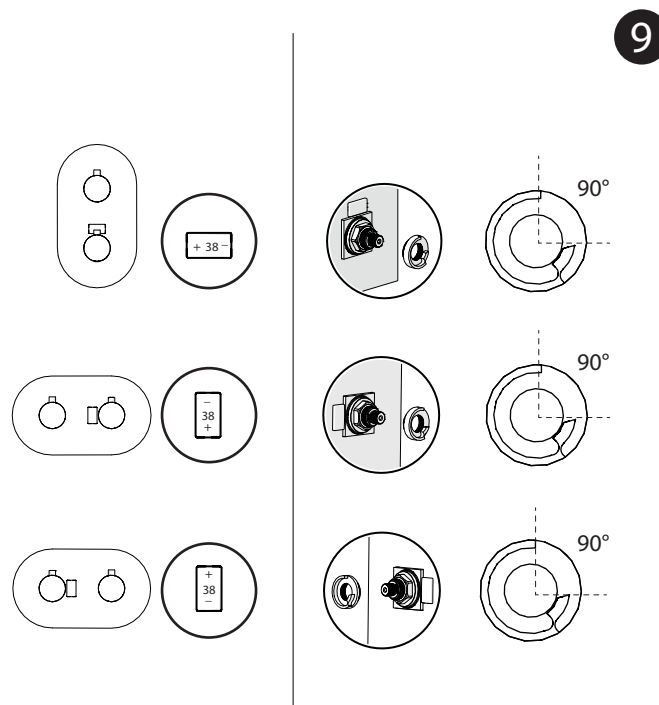
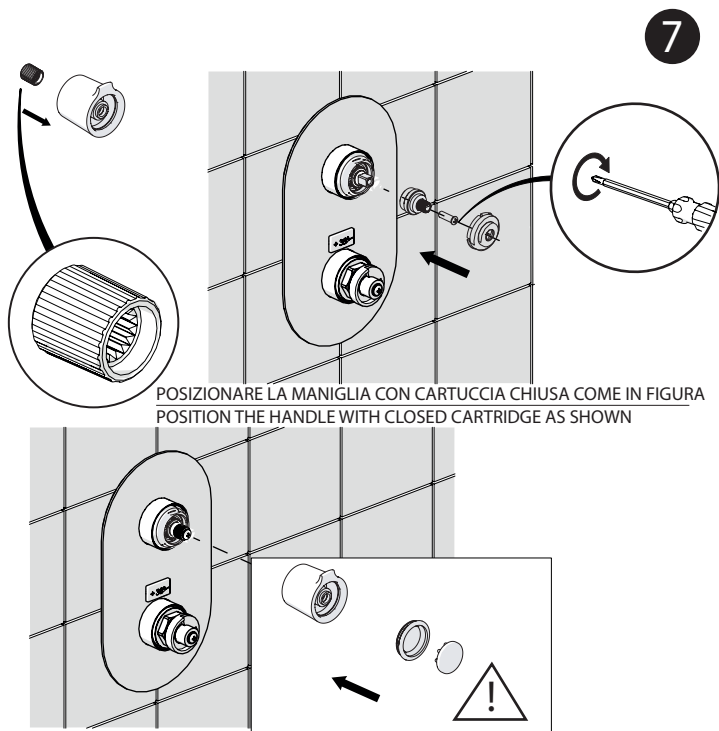
REF. MANUAL  
WE00102



APERTO  
OPEN

APERTO  
OPEN





SF00102



[www.grupponobili.it](http://www.grupponobili.it)

**PRIMA DI INIZIARE / BEFORE STARTING**

	P	P	bar	0,5	MIN	MAX	10	5		T	T	∞	C	MAX	80	65	45
--	---	---	-----	-----	-----	-----	----	---	--	---	---	---	---	-----	----	----	----

**PULIZIA / CLEANING**

	ACQUA WATER		ALCOOL		MICROFIBRA MICROFIBER		SPUGNA SPONGE		DETERGENTI DETERGENT
	✓		✓		✓		✗		✗

Достоверную информацию уточняйте на [santehnica.ru](http://santehnica.ru).