

INDUSTRIAL

Paper roll



PR2783
White epoxy finish



PR2783B
Black epoxy finish



PR2783C
Bright finish



PR2783CS
Satin finish

General Description

- Circular toilet paper dispenser for industrial rolls of 250/300 m, surface mounted, with a stylish design suitable for every washroom.
- Manual dispensing.
- Robust and vandal-proof.
- Suitable for high traffic facilities.
- Model suitable for public use with high strength and durability.

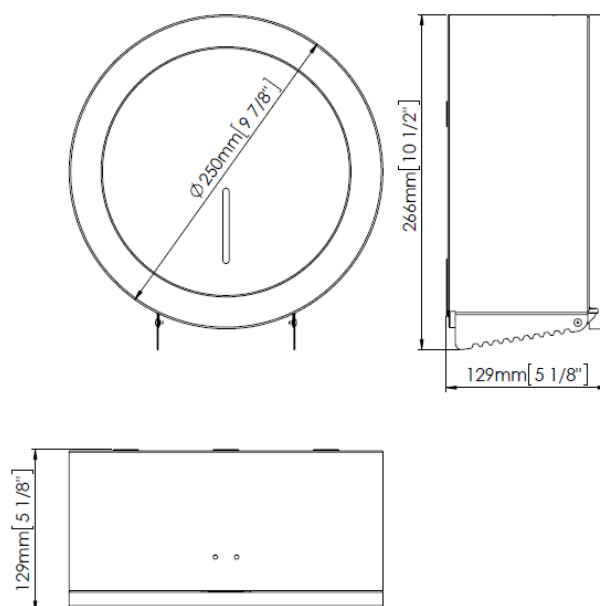
Materials & components

- **PR2783:** steel, 0.8 mm thick, white epoxy finish.
- **PR2783C:** stainless steel AISI 304, 0.8 mm thick, bright finish.
- **PR2783CS:** stainless steel AISI 304, 0.8 mm thick, satin finish.
- **PR2783B:** steel, 0.8 mm thick, black epoxy finish.
- One-piece body, 0.8 mm thick, round \varnothing 250 mm, fully sealed and with a catch system to prevent the opening of the door. The supports of the screws in the back of the appliance, are acting as an anti-moisture support, as well as slots to avoid the screws damaging the toilet paper. It is mounted on the wall by means of 3 wood screws with their corresponding 5 mm wall plugs. It includes a lock system with standard mediclinics® key, that allows opening the lid for replenishment.
- PA6 plastic shaft, for standard \varnothing 45mm paper rolls tube, with inertial anti-spin retainer. This shaft is removable with 2 different positions to allow variety of paper rolls. It also allows the use of a standard paper roll in case of need.
- One-piece seamless lid, 0.8 mm thick, fully sealed. Fixed to the body by means of rivets that allow swinging down the lid for the replenishment.
- Slot at the front with a plastic viewer that indicates the content level.
- Back-plate, 0.6 mm thick, with multiple slots for easy installation. Total compatible with PR0783... series.

Technical specifications

Dimensions	\varnothing 250 x 129 mm
Paper roll capacity	Max. \varnothing 230 mm
Thickness of body and lid	0,8 mm
Weight (empty)	1,25 kg
Toilet roll width	Max. 115 mm
Toilet roll tube	Min. \varnothing 45 mm

Dimensions



Dimensions \pm 4%

MOUNTING TEMPLATE

65-75 cm at lower point // 70 cm at lower point (for handicapped people).