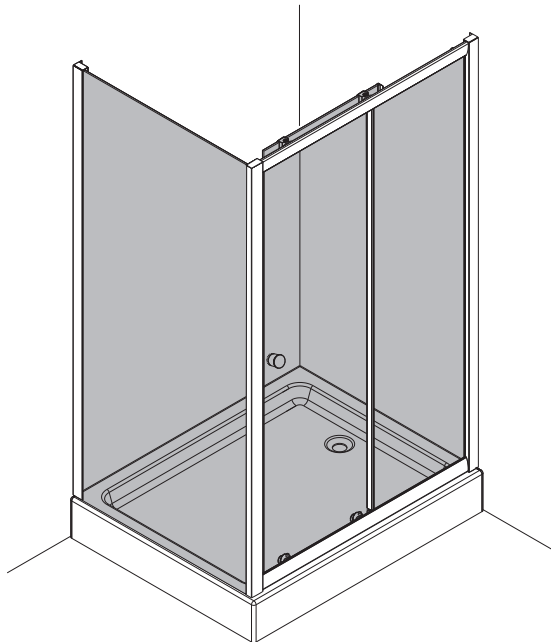
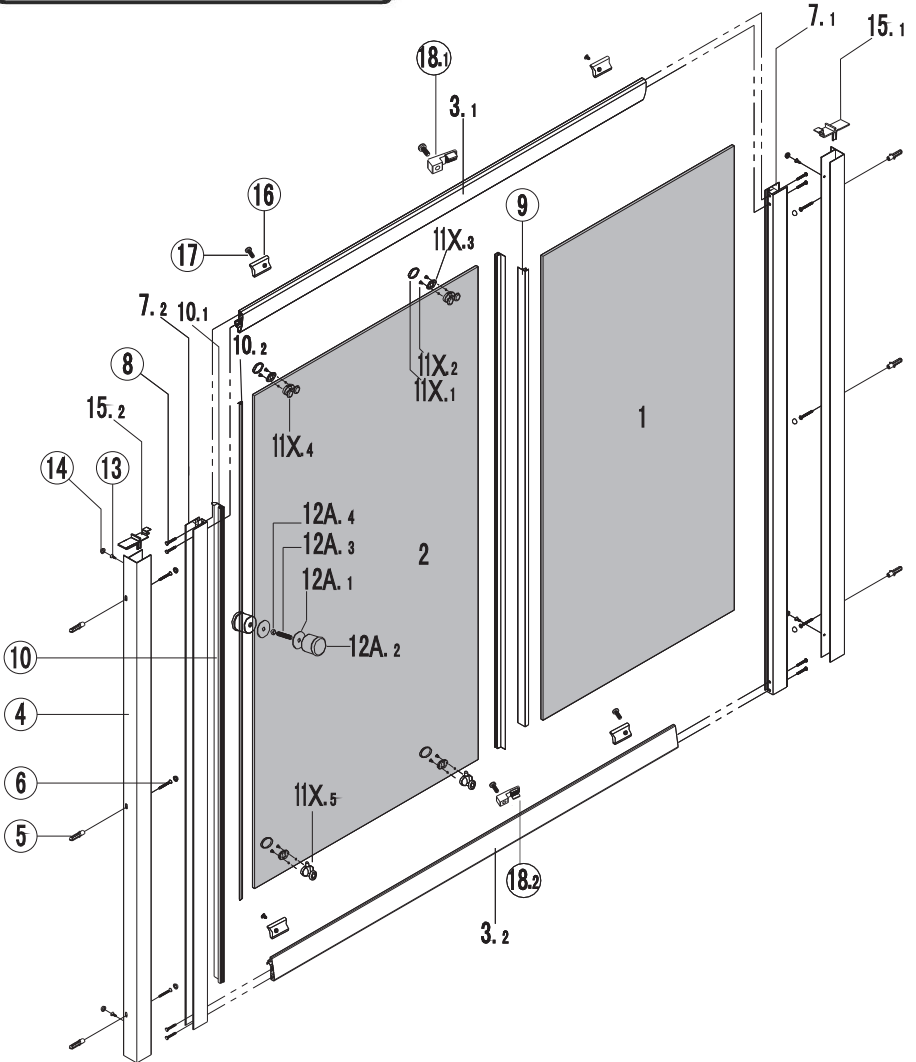
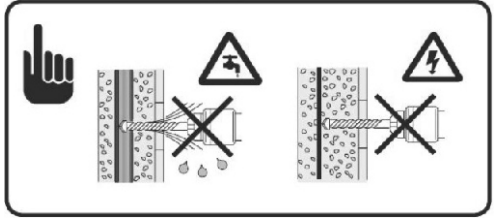
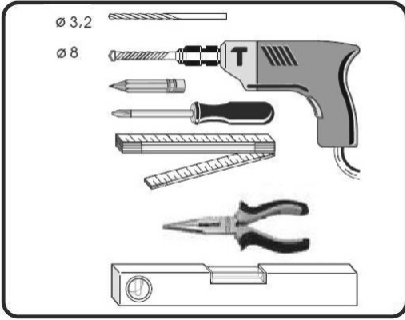


1~10



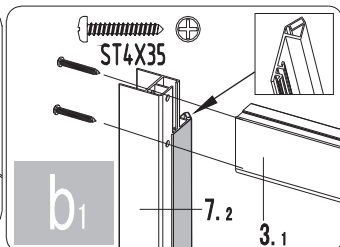
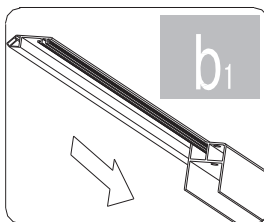
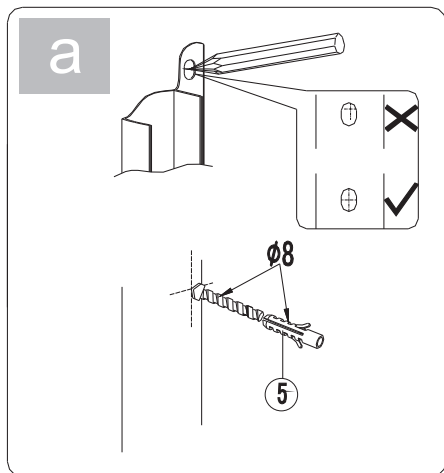
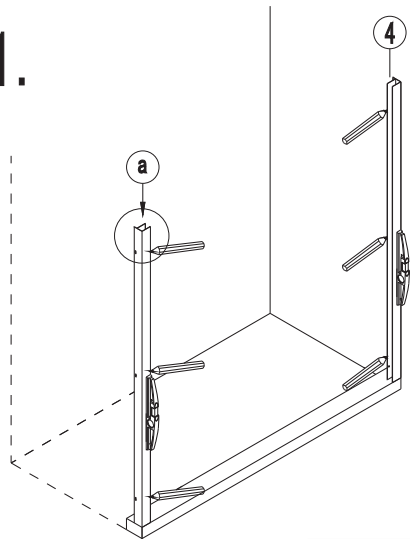
11~14

AZS100303-000/D

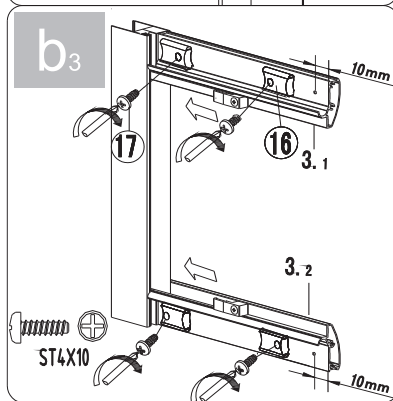
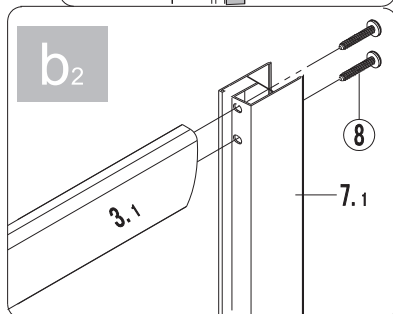
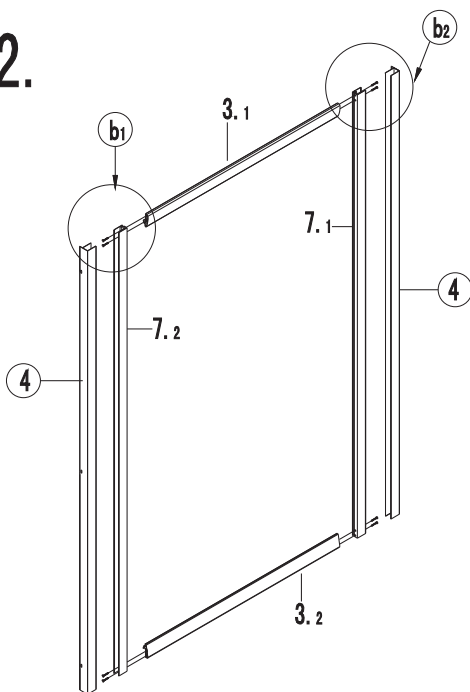


NO.	Designation	Pieces	NO.	Designation	Pieces
3.1		X1	12	A.1	X4
1		X1		A.2	X4
2		X1		A.3	X2
3.2		X1		A.4	X2
4		X2		B.1	X1
5	$\phi 8$	X7		B.2	X1
6	$\oplus$ ST4X35	X7		C.1	X1
7.1		X1		C.2	X4
7.2		X1		C.3	X2
8	$\oplus$ ST4X35	X9		C.4	X2
9		X2		C.5	X1
10.1		X1		C.6	X1
10.2		X1	D.1	X2	
11	X.1	X4	D.2	X2	
	X.2	X8	D.3	X1	
	X.3	X4	D.4	X4	
	X.4	X2	D.5	X2	
	X.5	X2	D.6	X1	
11	Y.1	X8	13	$\oplus$ ST4X10	X5
	Y.2	X8	14		X11
	Y.3	X8	15.1		X1
	Y.4	X8	15.2		X1
	Y.5	X4	16		X4
	$\oplus$ ST4X10	X7	17	$\oplus$ ST4X10	X7
		X1	18		X1
	$\phi 8$	X4		$\phi 8$	X4
	$\phi 3.2$	X4		$\phi 3.2$	X4

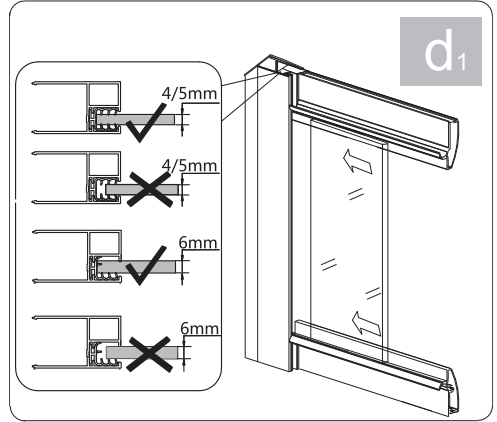
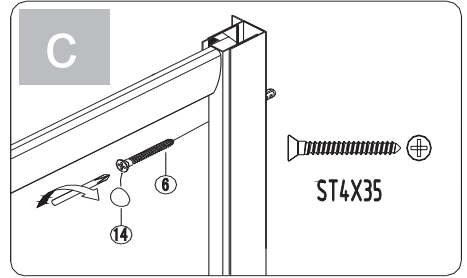
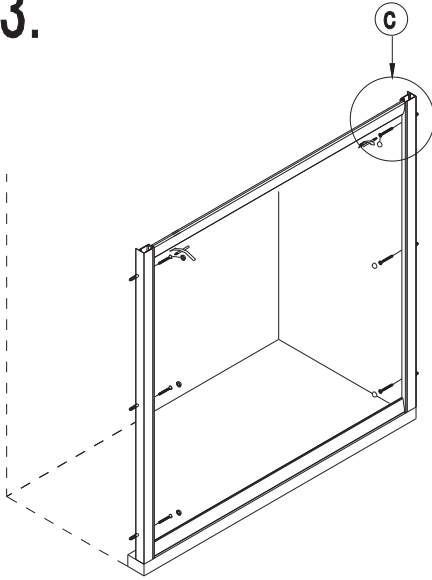
# 1.



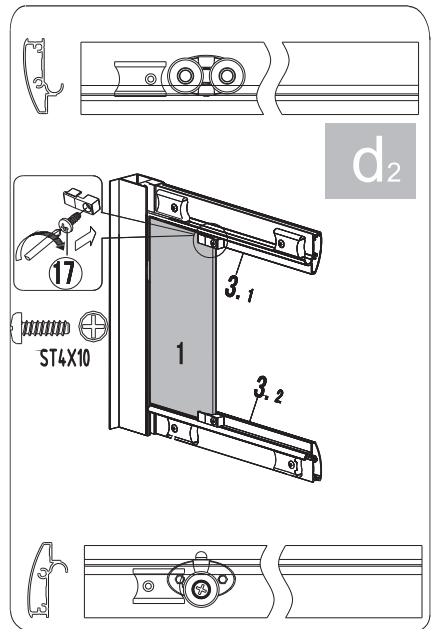
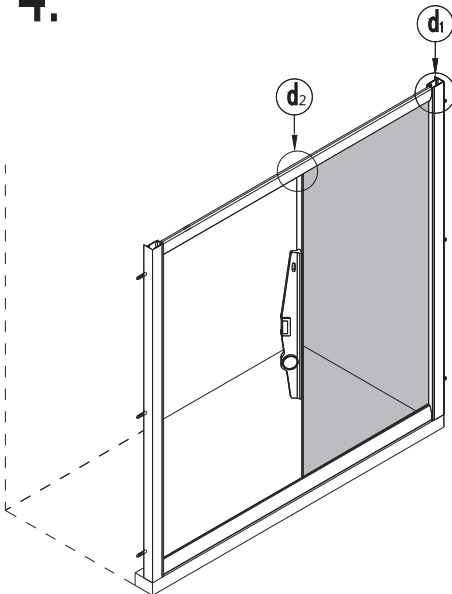
# 2.



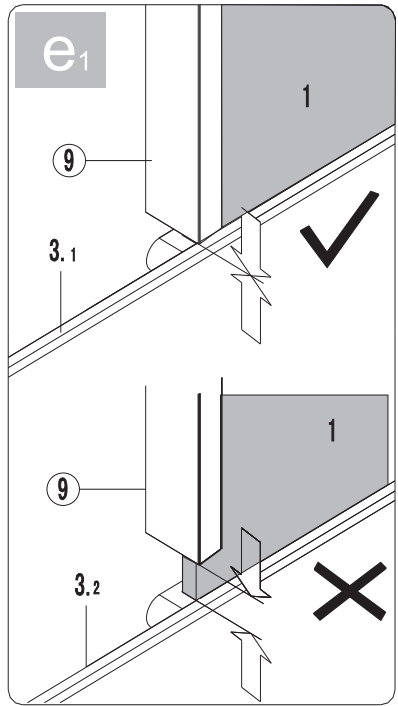
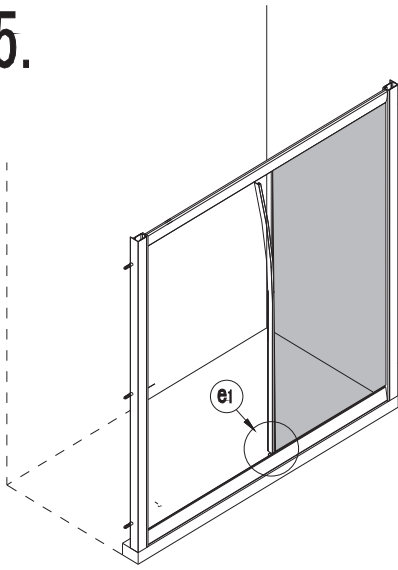
3.



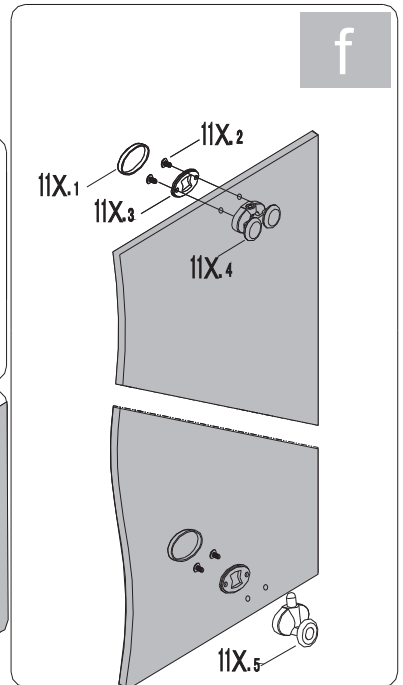
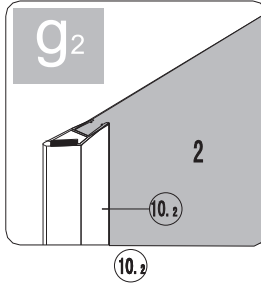
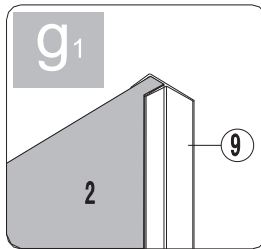
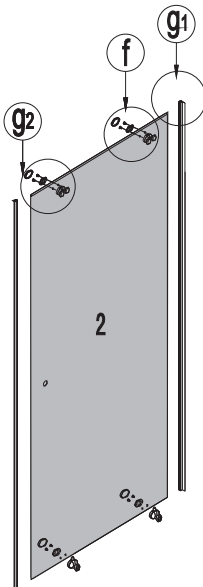
4.



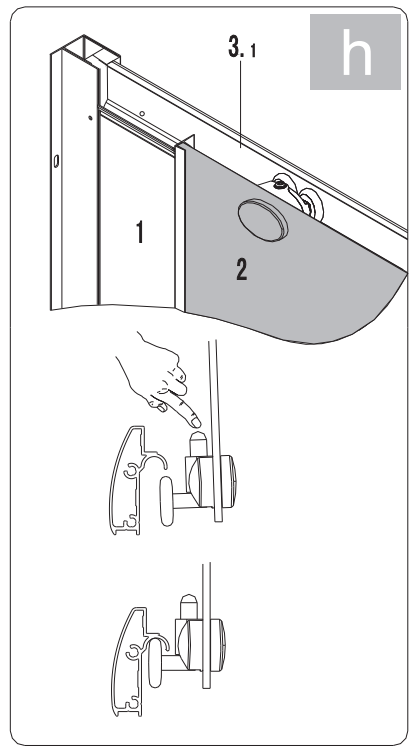
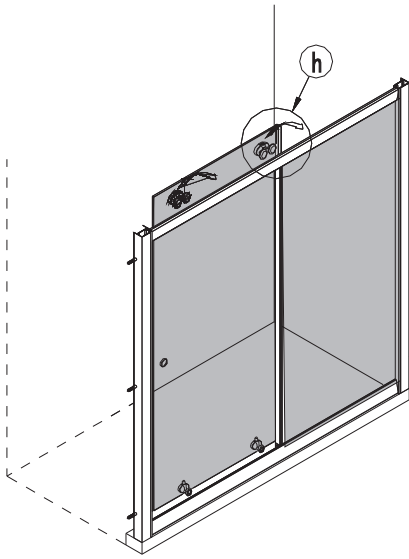
5.



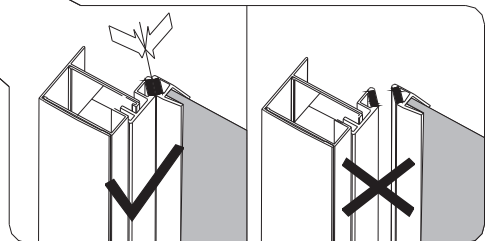
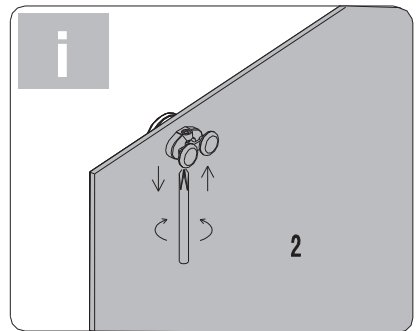
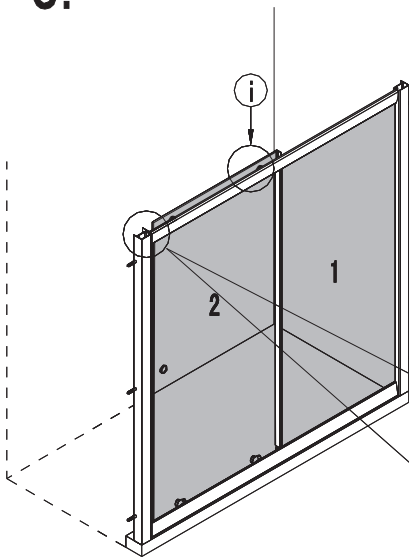
6.



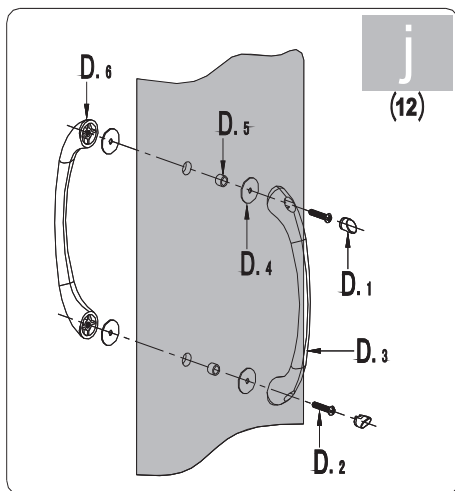
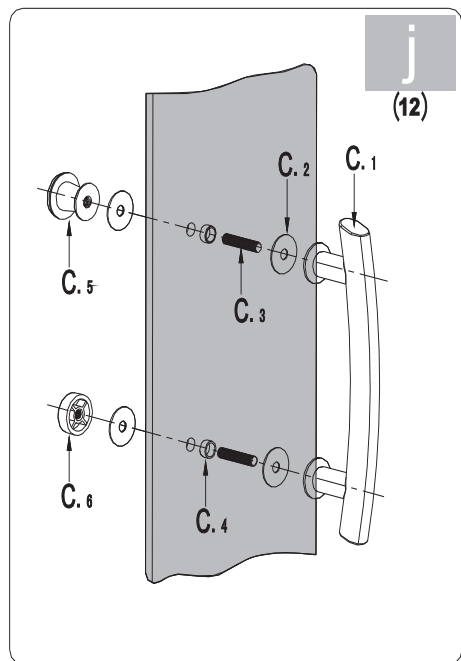
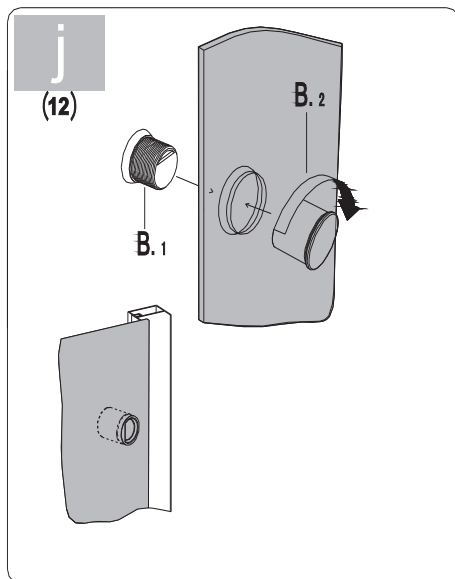
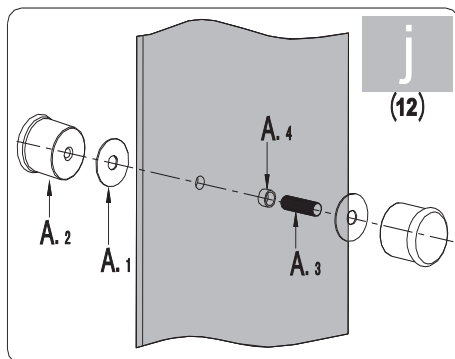
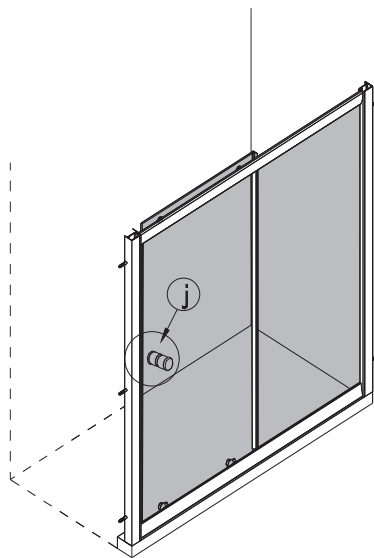
7.



8.

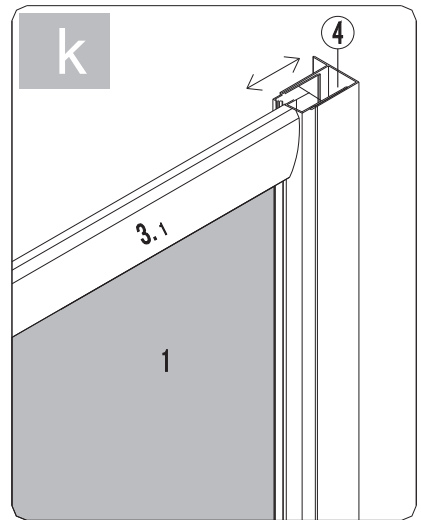
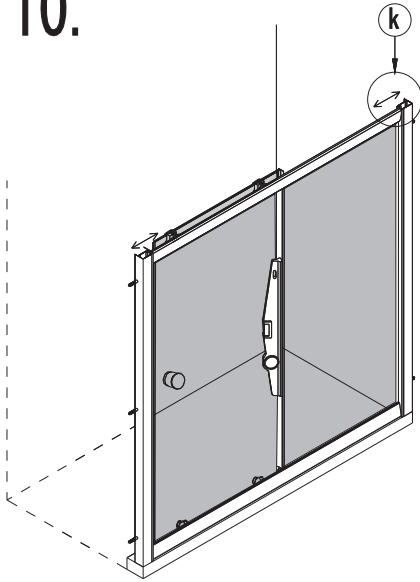


9.

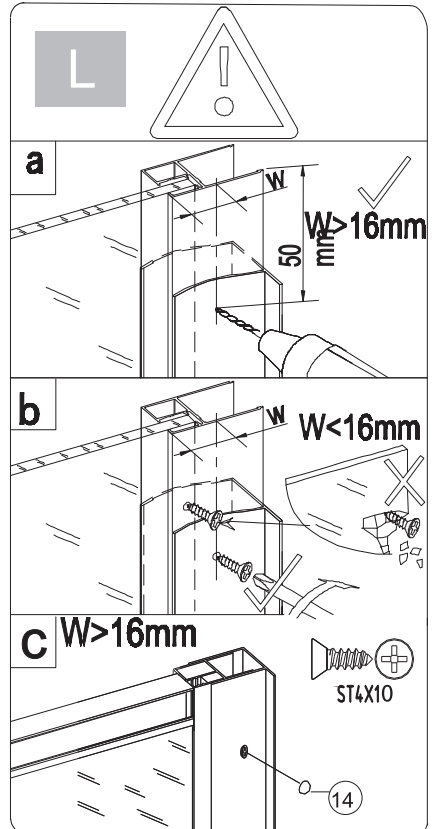
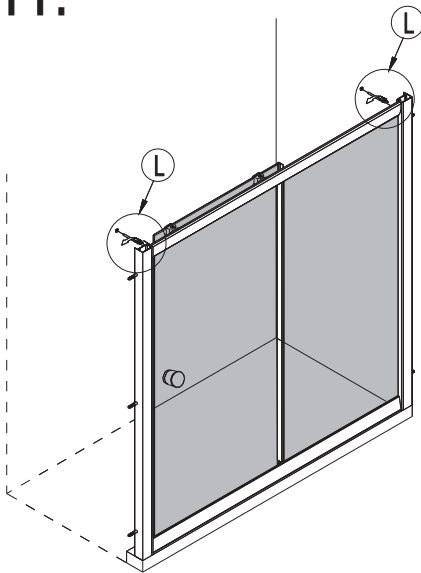




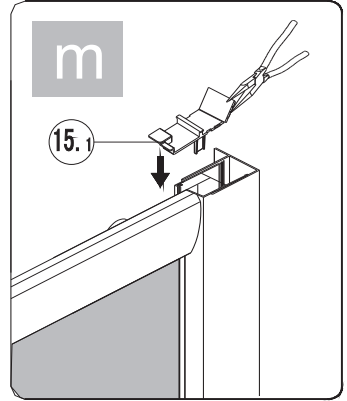
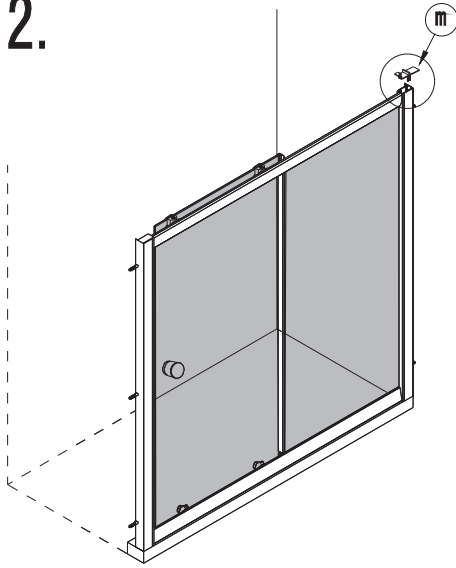
10.



11.

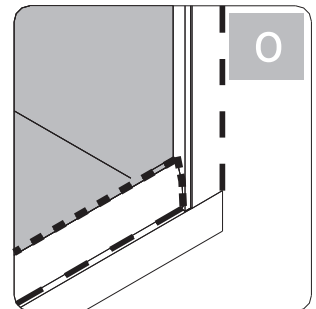
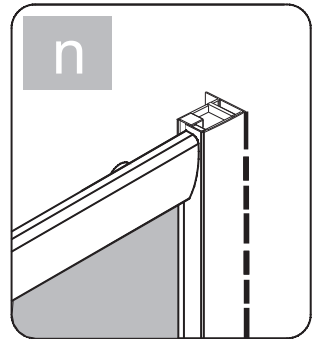
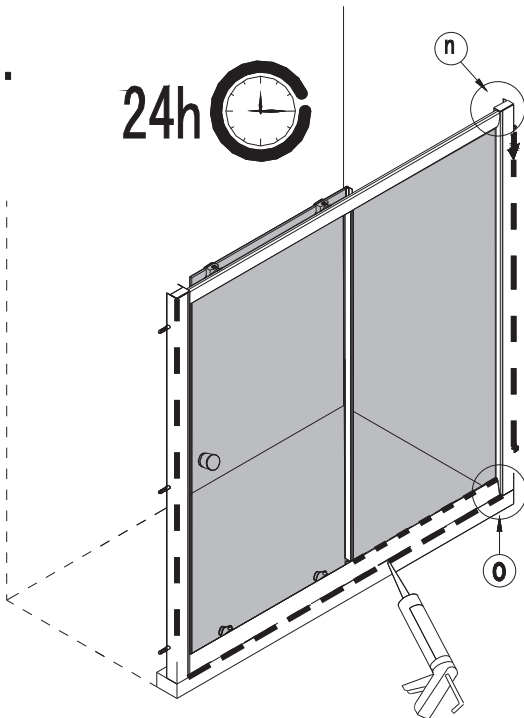


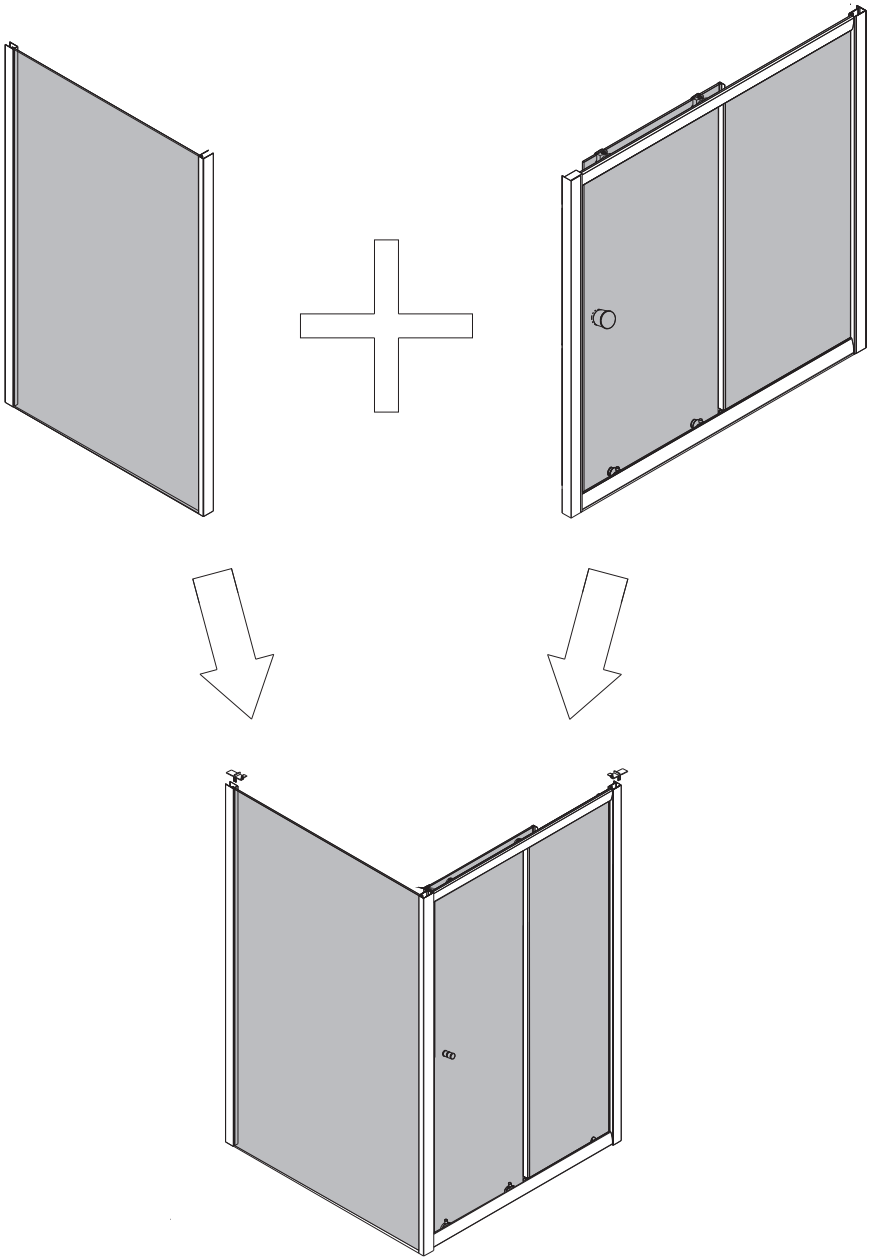
12.





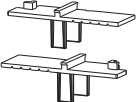


13.

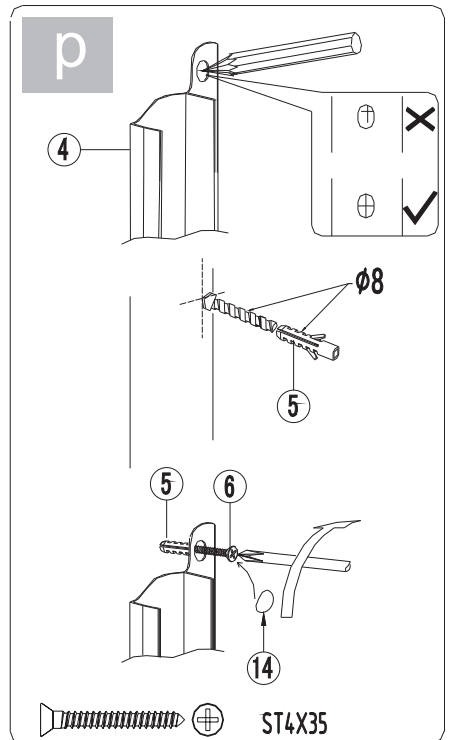
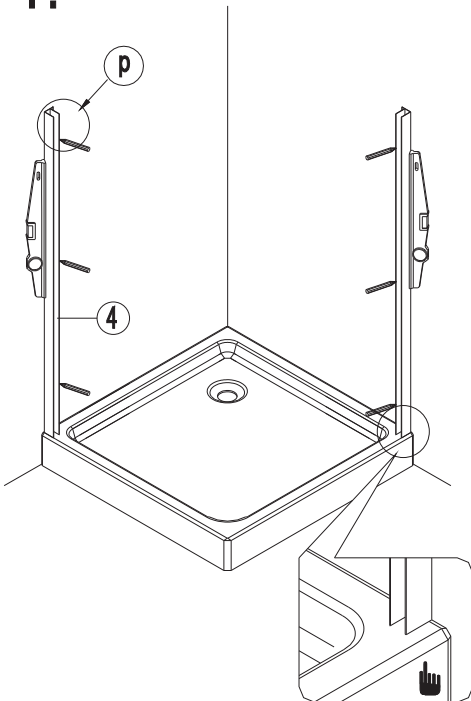
24h 



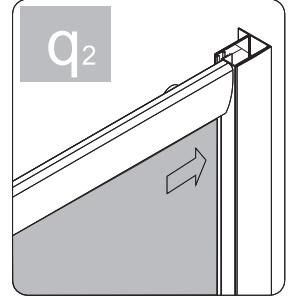
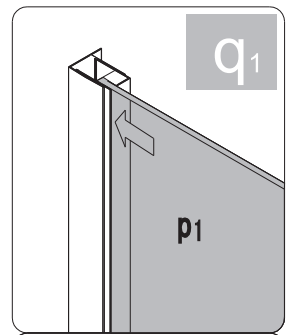
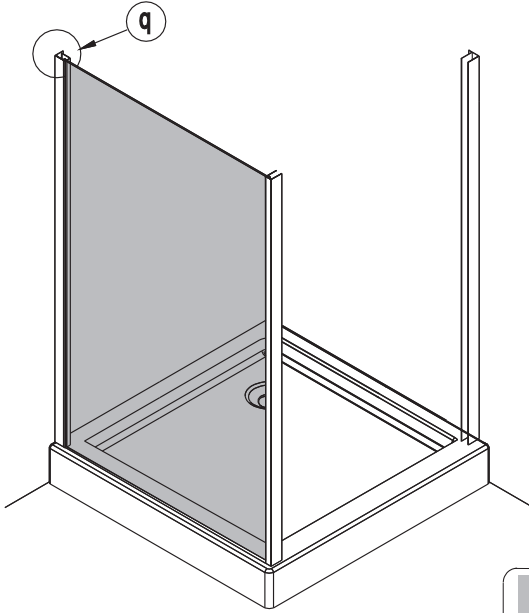


NO.	Designation	Pieces
p1		X1
p2	  ST4X10	X2+1
p3		X2+1
p4		X1 X1

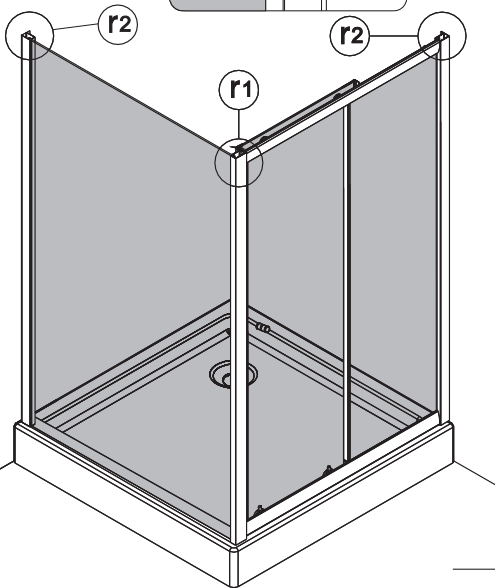
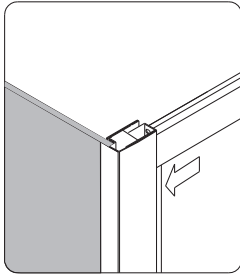
1.



2.



3.



**r**

**a**

$W > 16\text{mm}$

**b**

$W < 16\text{mm}$

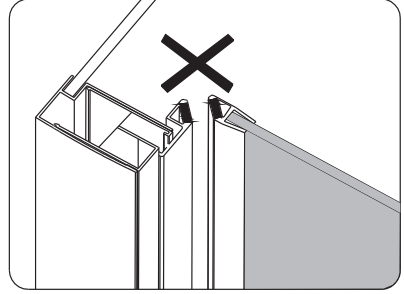
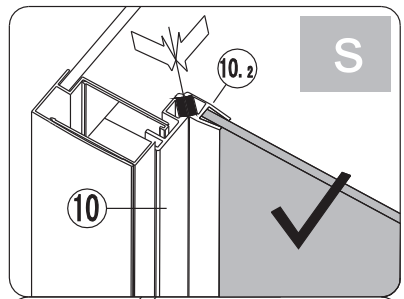
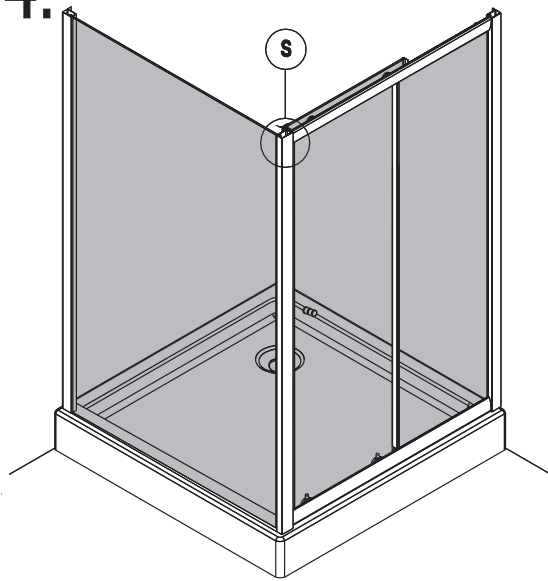
**c**

$W > 16\text{mm}$

ST4X10

14

4.



5.

24h 

