

**AXOR Citterio E**  
**Single lever basin mixer 250 with pin handle for wash bowls with waste set**  
 Finish: **Matt Black** Article Number: **36104670**



### product features

- consists of: single lever basin mixer, waste set
- ComfortZone 250
- projection: 163 mm
- spout height: 252 mm
- handle variant: pin handle
- spray type: laminar spray
- maximum flow rate at 3 bar: 5 l/min
- ceramic cartridge
- suitable for continuous flow water heaters
- non-closing waste set
- connection type: G 3/8 connections
- connection dimension: DN15
- EU taxonomy: max. 6 l/min - Substantial Contribution (SC) possible

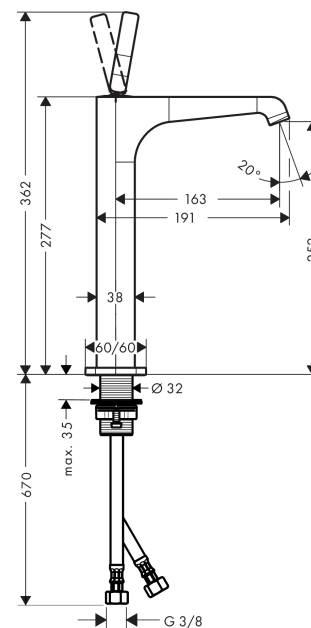
### Technology



### Product image



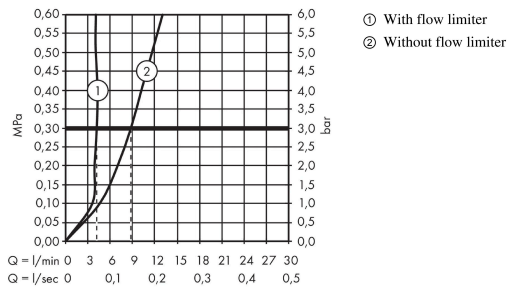
### Scale drawing



**AXOR Citterio E**  
**Single lever basin mixer 250 with pin handle for wash bowls with waste set**  
 Finish: **Matt Black** Article Number: **36104670**



## Flowchart

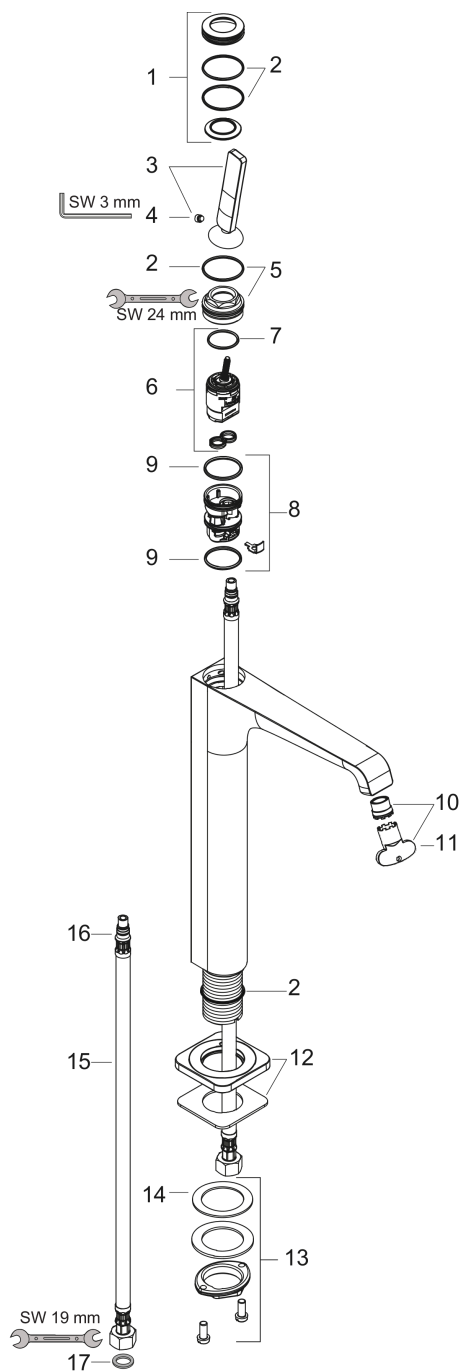


**AXOR Citterio E**  
**Single lever basin mixer 250 with pin handle for wash bowls with waste set**  
 Finish: **Matt Black** Article Number: **36104670**



## Exploded Drawing

Year of production: >07/22



**AXOR Citterio E**  
**Single lever basin mixer 250 with pin handle for wash bowls with waste set**  
 Finish: **Matt Black** Article Number: **36104670**



## Spare part list

Year of production: >07/22

Pos.		Article Number	PC	PU
1	escutcheon	92188670	61	1
2	O-ring 30x1,5	98433000	1	1
3	handle	92189670	60	1
4	hollow set screw M6x6	97660000	1	1
5	nut	95667000	7	1
6	cartridge, assy	96339000	12	1
7	O-ring 21,95x1,78	95169000	1	1
8	adapter for cartridge	95289000	7	1
9	O-ring 26x2	98147000	1	1
10	aerator laminar M16,5x1 (5 l/min)	95382000	9	1
11	special tool	98987000	3	1
12	escutcheon	92190670	61	1
13	fixing set (Ø 32)	13961000	7	1
14	lever collar	97548000	1	1
15	connection hose 900 mm M8x0,75 G3/8	96316000	9	1
16	O-ring 7x1,5	98422000	1	1
17	sealing set	95581000	2	1
a	waste	50001000	99	1
b	fixation extension 35 mm	13898000	12	1
c	plug	92313000	3	1